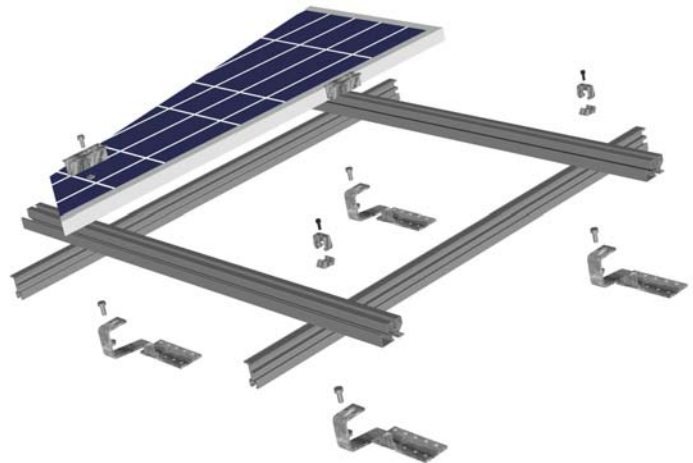


the convenient cross rail system!

- flexible mounting
- perfectly coordinated components
- can be combined with all Schletter system components
- high-quality, durable materials
- 10 year guarantee – just as on all Schletter systems



Application

For all standard application Schletter PV technology suggests the unrivalled simple, flexible and fast fastening of cross rails directly to the substructure. The **Schletter GridTop** is ideal for cases in which the substructure only offers disadvantageous fastening points or in which the position of the cross rails has to be adapted to the module rows.

Application examples: all eternit or trapezoidal sheet metal roofs with horizontal battens or cross mounting of modules on pantiled roofs with disadvantageous row sectioning.

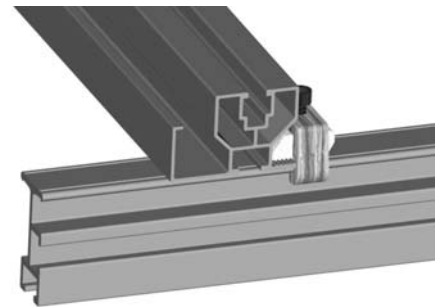
Component parts

The **T support profile** has best static features. So it allows big support distances with minimal material usage. Because of the two screw ducts it matches all standard substructure component parts of the Schletter series and also different roof hook types.

The **cross beam profile** can be used in the GridTop system as well as in all other standard systems.

The **cross connector** is vertically and horizontally freely moveable. The special clamp technique allows very high holding forces without loading the screw connections.





Technical specifications

Material	aluminium
Statics	DIN 1055 new and Eurocode 1 System statics for span lengths and number of fastening points
Calculation and ordering	for example with our comfortable auto calculator.

Snow loads of 2 metres and more: Proven and tested special applications of GridTop!

In some areas in or near the alps snow heights of 2 meters and more are no uncommonness. But most of the mounting systems are not made for this extreme loads. But since in this areas the irradiance is very high because of the high altitude, higher mounting costs quickly pay off. Together with a qualified partner in the Allgäu we have realised some projects with big cross-mounted laminates in combination with GridTop. The very stable construction and the very good slipping features for snow on this modules can even convince insurance companies. So very high earnings guarantees as well as the complete snow load risk can be covered in insurance policies. If we can even convince insurance companies.....



Get all system prices fast and easily with our auto calculator!