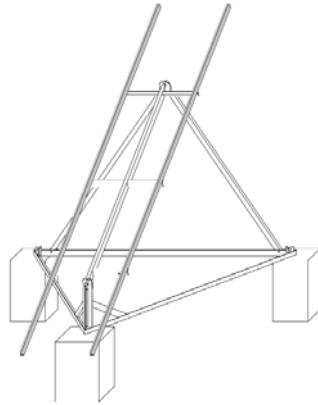
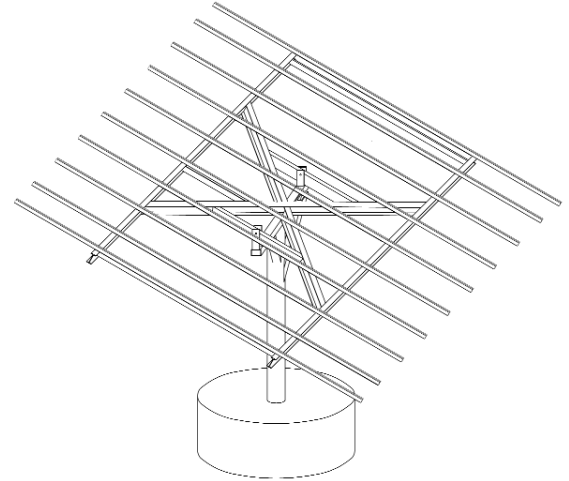


## DEGER TOPtraker® 8.5 / 40NT

### Single-axis, active tracking systems



**DEGER TOPtraker® 8.5**  
with concrete foundation for open land installation



**DEGER TOPtraker® 40NT**

### DEGER TOPtraker® 8.5 / 40NT

Single-axis, active tracking system  
suitable for all current solar modules

#### Areas of application:

- For increased performance for all photovoltaic applications.
- For open spaces and landfills.
- For all current modules.

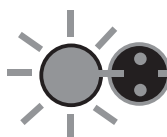
|  | TOPtraker® 8.5           | TOPtraker® 40NT                    |
|--|--------------------------|------------------------------------|
| <b>For solar energy capacity</b>               | 500 ... 1,290 Wp         | 4,000 ... 6,400 Wp                 |
| <b>Module area up to</b>                       | 8.5 m <sup>2</sup>       | 40 m <sup>2</sup>                  |
| <b>Angle of inclination - south</b>            | 30°                      | Standard 30° / optional 0° and 15° |
| <b>Elevation inclination angle</b>             | 30° ... 50°              | 0° ... 45°                         |
| <b>Control unit</b>                            | <b>DEGERconecter</b>     |                                    |
| <b>Operating voltage</b>                       | 20 ... 40 VDC            | Energy converter II                |
| <b>East - west drive</b>                       | 420 mm stroke path       | 850 mm stroke path                 |
| <b>Internal power consumption control mode</b> | 0.1 Watt                 |                                    |
| <b>with operating drives approx.</b>           | 5 Watts                  | 9 Watts                            |
| <b>Power consumption per year approx.</b>      | 1 kWh                    | 2.5 kWh                            |
| <b>Mast height</b>                             | --                       | 4 m / optional 5 m                 |
| <b>Weight</b>                                  | 115 kg                   | 650 kg                             |
| <b>Maintenance</b>                             | maintenance-free         |                                    |
| <b>Geographic region</b>                       | Equator ... 60° latitude |                                    |
| <b>Art.no.:</b>                                | 1110001                  | 1130001                            |

The systems are designed in accordance with DIN 1055-4 (03/2005). Project-specific assimilation to regional provisions.  
Subject to technical changes for future improvements.

#### Scope of delivery:

Complete tracking system in the optimised azimuth axis, DEGERconecter control electronics, module bearing system in aluminium, compatible with the module type used, installation instructions.

**Available at any time:** From your solar equipment retailer.



**DEGERenergie**  
Tracking Systems

DEGERenergie GmbH • 72160 Horb/Germany  
info@DEGERenergie.com • www.DEGERenergie.com