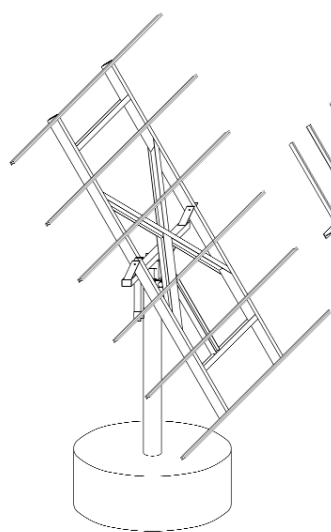
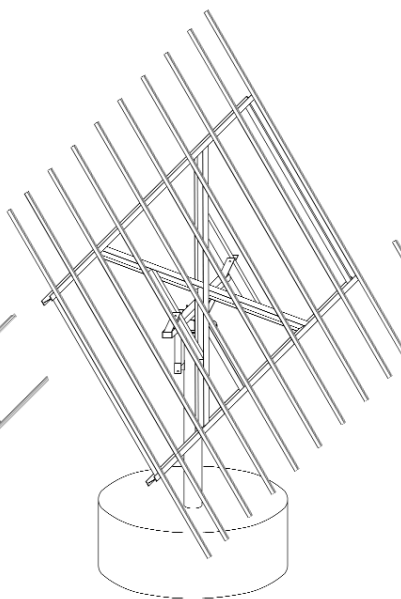


DEGERtraker 3000NT / 5000NT / 7000NT

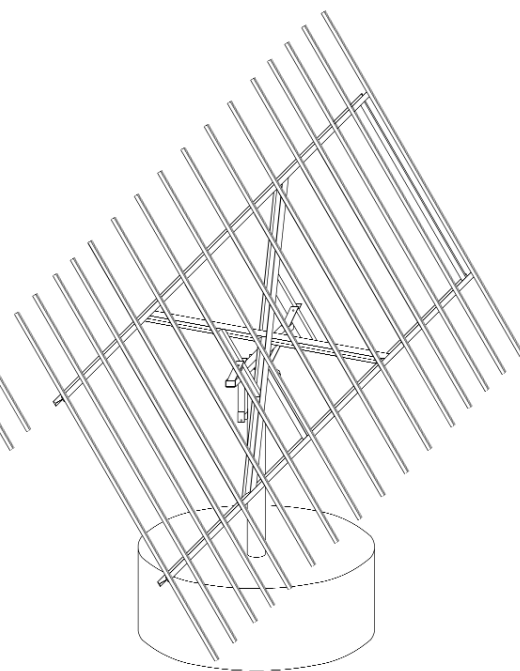
Dual-axis, active tracking systems



DEGERtraker 3000NT



DEGERtraker 5000NT



DEGERtraker 7000NT

DEGERtraker 3000NT / 5000NT / 7000NT

Dual-axis, active tracking system
suitable for all current solar modules

Areas of application:

- For professional power generation
- For open spaces and for installation with different mast lengths.
- For all current modules.

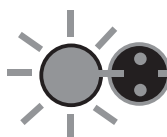
	3000NT	5000NT	7000NT
For solar energy capacity	2,000 ... 3,800 Wp	4,000 ... 6,400 Wp	6,000 ... 9,000 Wp
Module area up to	25 m ²	40 m ²	60 m ²
Rotation angle east - west	360° with adjustable limit switches		
Elevation inclination angle	10° ... 90°		
Control unit	DEGERconector		
Energy converter	II or V		
East - west drive	drive integrated in the power head		
Elevation drive	1,000 mm stroke path	1,000 mm stroke path	1,100 mm stroke path
Internal power consumption: control mode	1 Watt		
with operating drives approx.	7 Watts		9 Watts
Power consumption per year approx.	7 kWh	8 kWh	9 kWh
Mast height	3.3 ... 5.5 m		
Weight (excluding mast)	480 kg	650 kg	1,090 kg
Maintenance	maintenance-free		
Geographic region	25° ... 60° / optional equator to 90th degree of latitude		
Art.no.:	1300001	1500001	1700001

The systems are designed in accordance with DIN 1055-4 (03/2005). Project-specific assimilation to regional provisions.
Subject to technical changes for future improvements.

Scope of delivery:

Complete dual-axis tracking system, mast, aluminium solar module carrier system to fit the respective module type, DEGERconector control electronics with energy converter for extremely economical operation, foundation plan, construction plan.

Available at any time: From your solar equipment retailer.



DEGERenergie
Tracking Systems

DEGERenergie GmbH • 72160 Horb/Germany
info@DEGERenergie.com • www.DEGERenergie.com